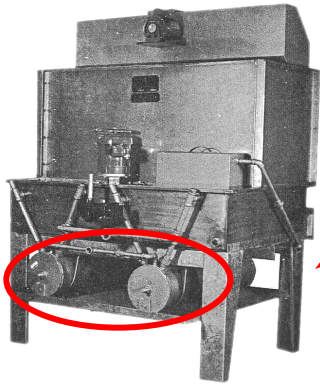




NIAGARA BLOWER COMPANY

No-FROST^o REFRIGERATION SYSTEMS

A-Type Concentrator Heat Exchanger Retrofit

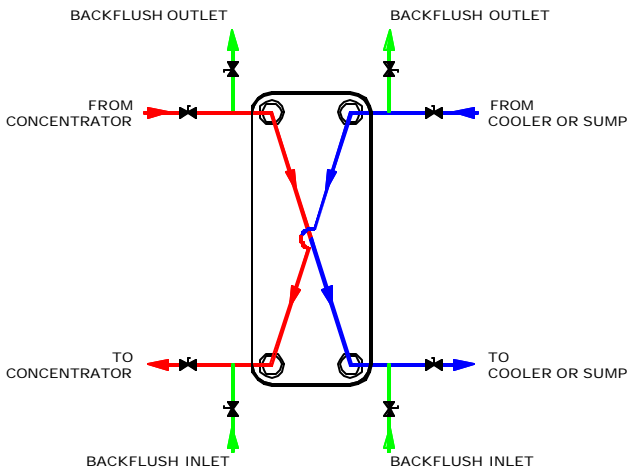
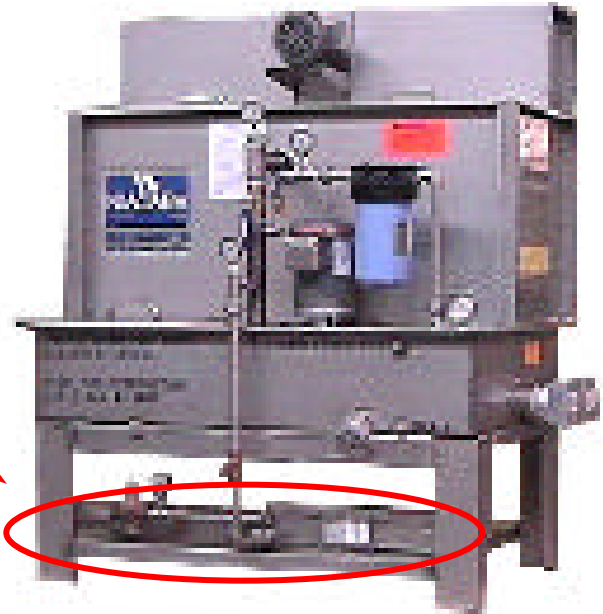


If your old *drum-type* heat exchangers are more than 10 years old, then they're probably...

Fouled, Leaking, & Inefficient

A new *plate-type* heat exchanger upgrade will allow you to...

- **Reduce** concentrator run time
- **Reduce** liquid usage
- **Reduce** utility costs



All retrofit kits are pre-piped with isolation & backflush valves to insure ease of maintenance for a long service life

For more information about this as well as other No-Frost^o system upgrades, please contact the Niagara factory offices in Buffalo, NY.

